

## SkyLine PremiumS Electric Boiler Combi Oven 101 208V

ITEM # \_\_\_\_\_  
 MODEL # \_\_\_\_\_  
 NAME # \_\_\_\_\_  
 SIS # \_\_\_\_\_  
 AIA # \_\_\_\_\_



**219752 (ECO101T3L0)**

SKYLINE PremiumS 10  
 HALF SHEET PANS (13" X  
 18") OR 10 HOTEL PANS (12  
 " X 20") TOUCH-ELECTRIC  
 208V-BOILER

### Short Form Specification

**Item No.** \_\_\_\_\_

Combi oven with high resolution full touch screen interface, multilanguage, IPX5, ETL, EnergyStar, Ergocert

- Built-in BOILER (in s/s 316L) with Lambda Sensor
- OptiFlow: air distribution system with 7 fan speed levels
- SkyClean: Automatic and built-in self cleaning system with integrated descale of the steam generator.
- 3 Cooking modes: Automatic, Programs, Manual
- Special functions: MultiTimer cooking, Plan-n-Save, SkyHub homepage, agenda MyPlanner, SkyDuo connection to SkyLine ChillerS, automatic backup mode to avoid downtime
- USB port to download HACCP data, programs and settings. Connectivity to the cloud ready
- 6-point multi sensor core temperature probe
- Triple-glass door with double LED lights line
- Includes (5) 922062 stainless steel grids

### Main Features

- Built-in steam generator: Boiler in AISI 316 steel for highly precise humidity and temperature control according to the chosen settings.
- Lambda Sensor: Real humidity control of +-1% for automatic quantity and size of food recognition to guarantee consistent cooking results
- Dry, hot convection cycle (77 °F - 575 °F/25 °C - 300 °C): ideal for convection cooking.
- Combi cycle (77 °F - 575 °F/25 °C - 300 °C): The combination of hot air and steam creating a humidity controlled cooking environment, to reduce the cooking process times and food weight loss.
- Steam cycle (77 °F - 266°F/25 °C - 130°C): Ideal for sous vide, re-thermalization, and Low Steaming of food and vegetables
- Automatic Cooking Mode: includes 9 food families (meat, poultry, fish, vegetables, pasta/rice, eggs, pastries and sweet bakery, bread, dessert) with 100+ different pre-installed variations. The Automatic Sensory Phase of the oven optimizes the cooking process according to the size, quantity and type of food loaded in the oven. Real-time monitoring of cooking parameters. Personalize and save up to 70 variations per food family.
- Cycles+: Regeneration (ideal for banqueting on plate or rethermalizing on tray)
  - Low Temperature Cooking (to minimize weight loss and maximize food quality) Patented US7750272B2 and related family
  - Proving cycle
  - EcoDelta cooking, cooking with the difference between the food probe core temperature of the food and the cooking cavity
  - Sous-vide cooking
  - Static Combi (to reproduce traditional cooking from static oven)
  - Pasteurization of pasta
  - Dehydration cycles (ideal for drying fruits, vegetables, meats, seafood)
  - Food safe Control and Advanced Food Safe Control: to automatically monitor safely the cooking process in compliance with HACCP hygienic standards or drive cooking with pasteurization factor Patented US6818865B2 and related family
- Programs mode: a maximum of 1000 recipes can be stored in the oven's memory, to recreate the exact same recipe at any time. The recipes can be group in 16 different categories to better organize the menu. 16-step cooking programs also available.
- MultiTimer: Special feature to manage up to 20 different cooking cycles at the same time in the same cavity guaranteeing even cooking results. Up to 200 MultiTimer available programs
- Reversible Fan: 7 speed fan levels from 300 to 1500 RPM with reverse rotation for optimal evenness. Fan stops in less than 5 seconds when door is opened.
- 6-point multi sensor core temperature probe for maximum precision and food safety.
- Picture Management: upload full customized images of cooking cycles or food items

**APPROVAL:** \_\_\_\_\_

- Automatic cool-down and pre-heat function
- Different chemical options available: solid (phosphate-free), liquid (requires optional accessory).
- GreaseOut: predisposed for integrated grease drain and collection for safer operations (dedicated base as optional accessory).
- USB port: to download HACCP data, share cooking programs and configurations. USB port also allows to plug-in sous-vide probe (optional accessory).
- Back-up mode: self-diagnosis is automatically activated if a failure occurs to avoid downtime.
- Capacity: 10 half sheet/hotel pans.
- OptiFlow air distribution system to achieve maximum performance in chilling/heating evenness and temperature control thanks to a special design of the chamber.

### Construction

- Triple thermo-glazed door: with 2 hinged inside panels for easy cleaning and double LED lights line.
- Seamless hygienic internal chamber with all rounded corners for easy cleaning.
- 304 AISI stainless steel construction throughout.
- Front access to control board for easy service.
- Integrated spray gun with automatic retracting system for fast rinsing.
- IPX 5 spray water protection certification for easy cleaning.
- Supplied with 6 tray rack for hotel pans, 2 2/3" pitch (67 mm).

### User Interface & Data Management

- Touchscreen: High resolution interface (translated into more than 30 languages including Spanish and French) - color-blind friendly panel.
- SkyDuo: Oven and Blast Chiller automatic communication to guide the user through the cook&chill process by creating a safe controlled environment to optimize time and efficiency (requires optional accessory).
- Make-it-mine: feature to allow full personalization or locking of the user interface by selecting what is visible on screen
- SkyHub: customizable homepage to allow the user to group their favorite functions for immediate access when operating.
- MyPlanner: on-screen agenda where the user can plan their daily work, set reminders for several users and receive personalized alerts for each activity
- Connectivity: ready for real time access to connected appliances from remote and HACCP monitoring (requires optional accessory).
- e-learning: equipment trainings, how-to guides, and technical documentation easily accessible by scanning QR-Code with any mobile device.
- Data Analytics: automatic consumption visualization at the end of the cycle.

### Sustainability



- Human centered design: with 4-star certification for ergonomics and usability.
- Door handle: ergonomic wing-shaped design for hands-free door opening with elbow, to allow simple trays management (Registered Design at EPO).
- Reduced-Power Feature: To consume less energy during customized slow cooking cycles.
- SkyClean: Automatic self cleaning system with integrated descaling of the steam boiler. 5 automatic cycles (soft, medium, strong, extra strong, rinse-only) and green

functions to save energy, water, detergent and rinse aid. Also programmable with delayed start.

- Plan-n-Save: the oven organizes the sequence of the chosen cooking cycles to optimize the processes in the kitchen reducing time and energy consumption.
- Energy Star 2.0 certified product.

### Included Accessories

- 5 of Single 304 stainless steel grid (12" x 20") PNC 922062

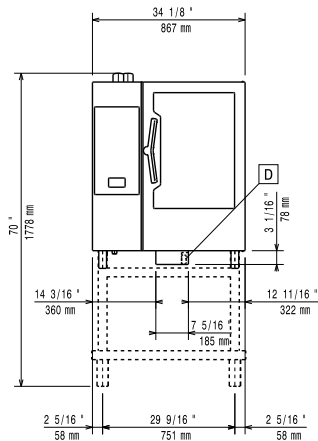
### Optional Accessories

- External reverse osmosis filter for single tank Dishwashers with atmosphere boiler and Ovens PNC 864388
- Water filter with cartridge and flow meter for 6 & 10 GN 1/1 ovens (low-medium steam usage - less than 2hrs per day full steam) PNC 920004
- Caster kit for base for 61, 62, 101 and 102 oven bases only PNC 922003
- Pair of half size oven racks, type 304 stainless steel PNC 922017
- Chicken racks, pair (2) (fits 8 chickens per rack) PNC 922036
- Single 304 stainless steel grid (12" x 20") PNC 922062
- Stainless steel 304 grids (GN ½) with spikes, fits 4 chickens PNC 922086
- External side spray unit PNC 922171
- Baguette tray, made of perforated aluminum, silicon coated, 16" x 24" PNC 922189
- Perforated baking tray, made of perforated aluminum, 16" x 24" PNC 922190
- Baking tray, made of aluminum 16" x 24" PNC 922191
- Pair of frying baskets PNC 922239
- Pastry grid 16" x 24" PNC 922264
- Double-click closing catch for oven door PNC 922265
- Grid for whole chicken 1/1GN (8 per grid - 2.6 lbs each) PNC 922266
- USB Probe for sous-vide cooking (only for Touchline ovens) PNC 922281
- Grease collection tray (4") for 61 and 101 ovens PNC 922321
- Kit universal skewer rack & (4) long skewer ovens (TANDOOR) PNC 922324
- Universal skewer pan for ovens (TANDOOR) PNC 922326
- Skewers for ovens, (4) 24" long (TANDOOR) PNC 922327
- Multipurpose hook PNC 922348
- 4 FLANGED FEET FOR 61,62,101,102 OVENS - 2" 100-130MM PNC 922351
- Grid for 8 whole ducks (1.8KG, 4LBS) - GN 1/1 PNC 922362
- Thermal blanket for 101 oven (trolley not included) PNC 922364
- HOLDER FOR DETERGENT TANK - WALL MOUNTED PNC 922386
- USB SINGLE POINT PROBE PNC 922390
- 10 Tray Rack with wheels, Half Sheet Pans, 2 ½" (65mm) pitch for 101 ovens and blast chillers PNC 922601

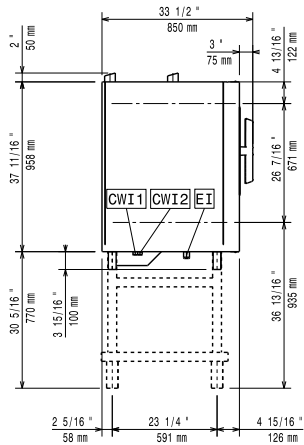


- 8 Tray Rack with wheels, Half Sheet Pans, 3" (80mm) pitch, for 101 ovens and blast chillers PNC 922602
  - Bakery/pastry tray rack with wheels holding 400x600mm grids for 10 GN 1/1 oven and blast chiller freezer, 80mm pitch (8 runners) PNC 922608
  - Slide-in rack with handle for 61 and 101 combi oven PNC 922610
  - Open base with tray support for 61 & 101 combi oven PNC 922612
  - Cupboard base with tray support for 61 & 101 combi oven PNC 922614
  - HOT CUPBOARD BASE WITH TRAY SUPPORT FOR 61 AND 101 OVEN HALF SHEET PANS (12" X 20") PNC 922615
  - External connection kit for detergent and rinse aid PNC 922618
  - Grease collection kit for 61,62,101,102 cupboard base (trolley with 2 tanks, open/close device and drain) PNC 922619
  - Stacking kit for electric 61/61 combi ovens or electric 61/101 combi ovens PNC 922620
  - Trolley for slide-in rack for 61 and 101 combi oven and blast chiller freezer PNC 922626
  - Trolley for mobile rack for 61 on 61 or 101 combi ovens PNC 922630
  - Stainless steel drain kit for all oven sizes (61, 62, 101,102, 201,202)- dia=50mm (2") PNC 922636
  - Plastic drain kit for all oven sizes (61, 62, 101,102,201, 202), dia=50mm (2") PNC 922637
  - Trolley with 2 tanks for grease collection PNC 922638
  - Grease collection kit for open base (2 tanks, open/close device and drain) PNC 922639
  - Wall support for 101 oven PNC 922645
  - Banquet rack with wheels holding 30 plates for 101 oven and blast chiller freezer, 65mm pitch (2 1/2") PNC 922648
  - Banquet rack with wheels 23 plates for 101 oven and blast chiller freezer, 85mm pitch PNC 922649
  - Dehydration tray, (12" x 20"), H=2/3" PNC 922651
  - Flat dehydration tray, (12" x 20") PNC 922652
  - Bakery/pastry rack kit for 10 GN 1/1 oven with 8 racks 400x600mm and 80mm pitch PNC 922656
  - Heat shield for stacked ovens 61 on 101 combi ovens PNC 922661
  - Heat shield for 101 combi oven PNC 922663
  - Fixed tray rack for 10 GN 1/1 and 400x600mm grids PNC 922685
  - Kit to fix oven to the wall PNC 922687
  - Tray support for 61 & 101 oven base PNC 922690
  - 4 adjustable feet with black cover for 61,62 & 101,102 combi ovens, 150-200mm (5 9/10in -7 9/1in) PNC 922693
  - Reinforced tray rack with wheels, lowest support dedicated to a grease collection tray for 101 oven pitch: 2 1/2" PNC 922694
  - Detergent tank holder for open base PNC 922699
  - Bakery/pastry runners 400x600mm for 6 & 10 GN 1/1 oven base PNC 922702
  - Wheels for stacked ovens PNC 922704
  - Spit for lamb or suckling pig (up to 26lbs) for 61,101,201 PNC 922709
  - Mesh grilling grid (12" x 20") PNC 922713
  - Probe holder for liquids PNC 922714
  - Fixed tray rack, 101 combi oven, h= h=85mm (3 1/3") PNC 922741
  - Fixed tray rack, 102 combi oven, h= h=85mm (3 1/3") PNC 922742
  - 4 high adjustable feet for 61,62 & 101,102 combi ovens, 230-290mm (9in - 11 2/5in) PNC 922745
  - Tray for traditional static cooking, H=100mm (12" x 20") PNC 922746
  - Double-face griddle, one side ribbed and one side smooth, 400x600mm PNC 922747
  - TROLLEY FOR GREASE COLLECTION KIT PNC 922752
  - WATER INLET PRESSURE REDUCER PNC 922773
  - KIT FOR INSTALLATION OF ELECTRIC POWER PEAK MANAGEMENT SYSTEM-6-10 GN OVENS PNC 922774
  - Extension for condensation tube, 37cm PNC 922776
  - Non-stick universal pan (12" x 20" x 3/4") PNC 925000
  - Non-stick universal pan (12" x 20" x 1 1/2") PNC 925001
  - Non-stick universal pan (12" x 20" x 2 1/2") PNC 925002
  - Frying griddle double sided (ribbed/ smooth) 12" x 20" PNC 925003
  - Aluminum combi oven grill (12" x 20") PNC 925004
  - Egg fryer for 8 eggs (12" X 20") PNC 925005
  - Flat baking tray with 2 edges (12" x 20") PNC 925006
  - Baking tray for (4) baguettes (12" x 20") PNC 925007
  - Potato baker GN 1/1 for 28 potatoes (12"X20") PNC 925008
  - Non-stick U-pan (12" x 10" x 3/4") PNC 925009
  - Non-stick U-pan (12" x 10" x 1 1/2") PNC 925010
  - Non-stick U-pan (12" x 10" x 2 1/2") PNC 925011
  - Compatibility kit for installation on previous base 61,101 PNC 930217
- Recommended Detergents**
- C25 Rinse & Descale Tabs, 50 tabs bucket PNC 0S2394
  - C22 Cleaning Tabs, phosphate-free, 100 bags bucket PNC 0S2395

Front



Side



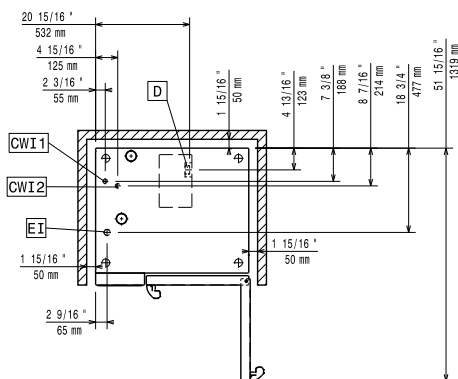
CWI1 = Cold Water inlet      EI = Electrical connection

CWI2 = Cold Water Inlet 2

D = Drain

DO = Overflow drain pipe

Top



### Electric

Supply voltage:	208 V/3 ph/60 Hz
Electrical power, max:	19 kW
Electrical power, default:	19 kW

### Water:

#### Water Cold Supply

Connection:	
219752 (ECO E10T3L0)	3/4"
Cold Water Inlet Connection:	3/4" GHT

Max inlet water supply temperature:	86°F (30°C)
Water inlet cold 1:	unfiltered
Water inlet cold 2:	filtered

Electrolux Professional recommends the use of treated water, based on testing of specific water conditions. Refer to manual for details

Pressure:	15-87 psi (1-6 bar)
Chlorides:	<85 ppm
Conductivity:	>50 µS/cm

### Installation:

Clearance:	Clearance: 2 in (5 cm) rear and right hand sides.
Suggested clearance for service access:	20 in (50 cm) left hand side.

### Capacity:

Drain "D":	2" (50 mm)
Max load capacity:	110 lbs (50 kg)
Hotel pans:	10 - 12" X 20"
Half-size sheet pans:	10 - 13" X 18"

### Key Information:

Door hinges:	
External dimensions, Width:	34 1/8" (867 mm)
External dimensions, Depth:	30 1/2" (775 mm)
External dimensions, Height:	41 5/8" (1058 mm)
Net weight:	334 lbs (151.5 kg)
Shipping width:	36 5/8" (930 mm)
Shipping depth:	36 5/8" (930 mm)
Shipping height:	50 3/8" (1280 mm)
Shipping weight:	374 lbs (169.5 kg)
Shipping volume:	39.09 ft <sup>3</sup> (1.11 m <sup>3</sup> )

### ISO Certificates

ISO Standards:	ISO 9001; ISO 14001; ISO 45001; ISO 50001
----------------	---

### Sustainability

Current consumption:	52.9 Amps
----------------------	-----------